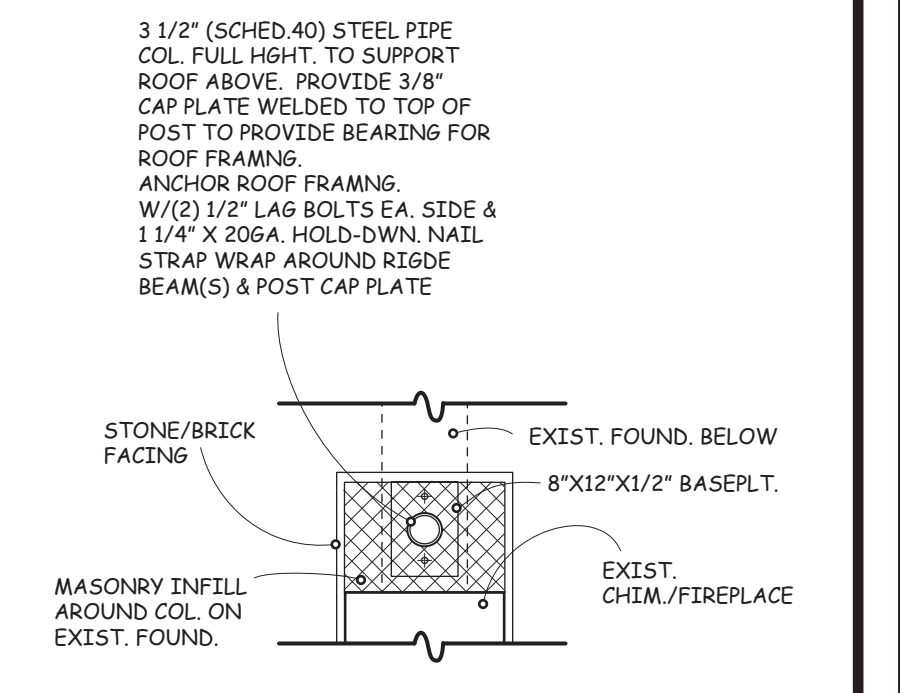
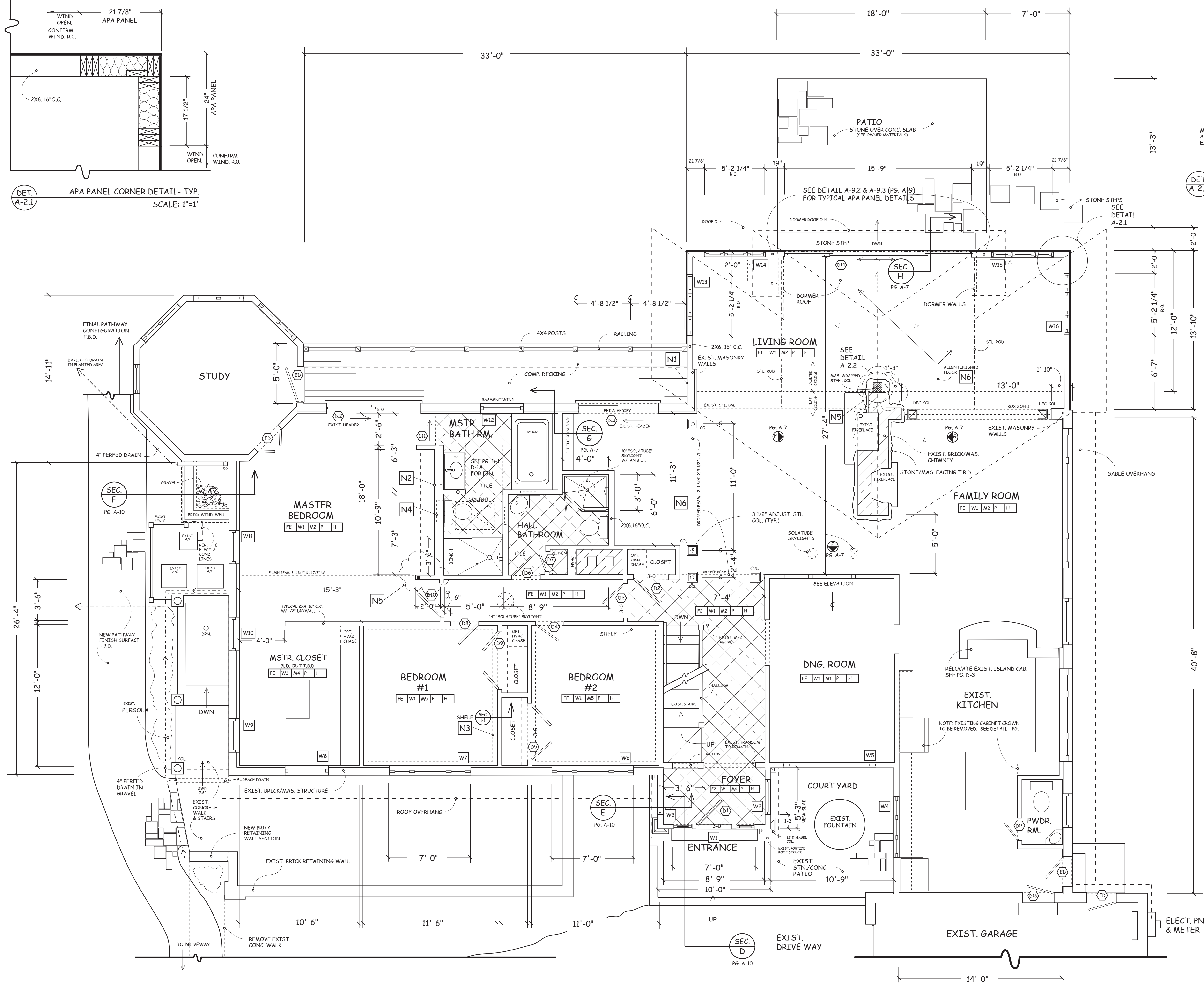


DET. A-2.1
APA PANEL CORNER DETAIL- TYP.
SCALE: 1"=1'



DET. A-2.2
RIDGE BEAM STEEL COL. DETAIL
NOTE: ALL BEARING CONDITIONS TO BE FIELD VERIFIED & APPROVED BY ENG./ARCH.
SCALE: NTS



- N1 NEW SIDING TO EXTEND TO CORNER
- N2 BUILD OUT TO ACCOMMODATE BATHROOM POCKET DOOR
- N3 SEE DETAILS PG. D-2
- N4 INSET CABINET - DET. TBD
- N5 VERIFY & SEAL BEARING COND. SEE DET. A-2.2
- N6 NEW OAK FLOORING TO MATCH EXISTING. ALIGN FIN. HGT. OF NEW W/EXIST.

1ST FLOOR PLAN

McCULLOUGH RESIDENCE
RENOVATION PROJECT
1605 RIVER FARM DR.
ALEXANDRIA, VA 22308

DRAWN: DTH
CHECKED:
DATE: 04/01/08
SCALE: 1/4" = 1'-0"
JOB NO. #01505
PG. A-2
OF 25 SHEETS

DEREK T. HAYNES & ASSOCIATES
5554 MALLOW TRAIL
MASON NECK, VIRGINIA 22079
703-550-5959
FAX 703-550-9938
DTHAYNES@DEREKHAYNES.COM